

Sensor-switched LED indoor light

RS PRO P3 S

Neutral white

EAN 4007841 056117

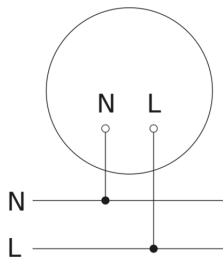
Article number 056117



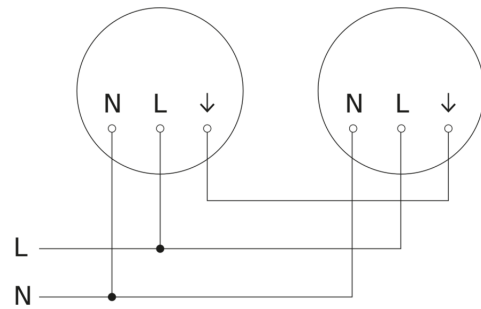
RS PRO P3 S

Neutral white
EAN 4007841 056117
Article number 056117

Master circuit diagram



Master/master interconnection circuit diagram



Master/slave interconnection circuit diagram

